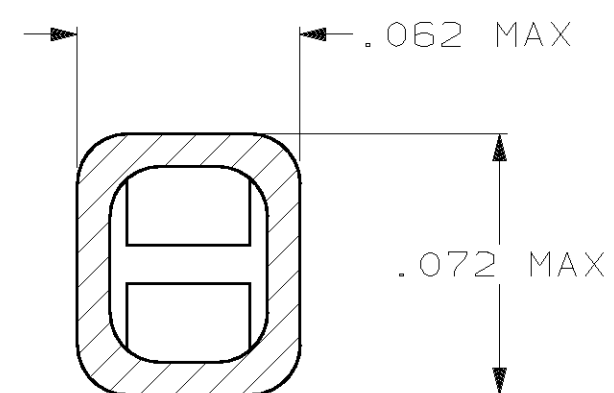
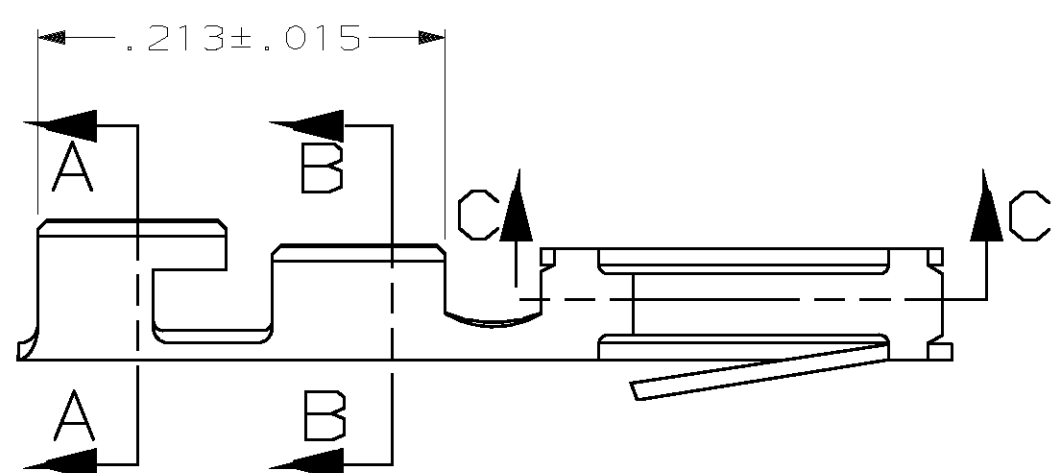
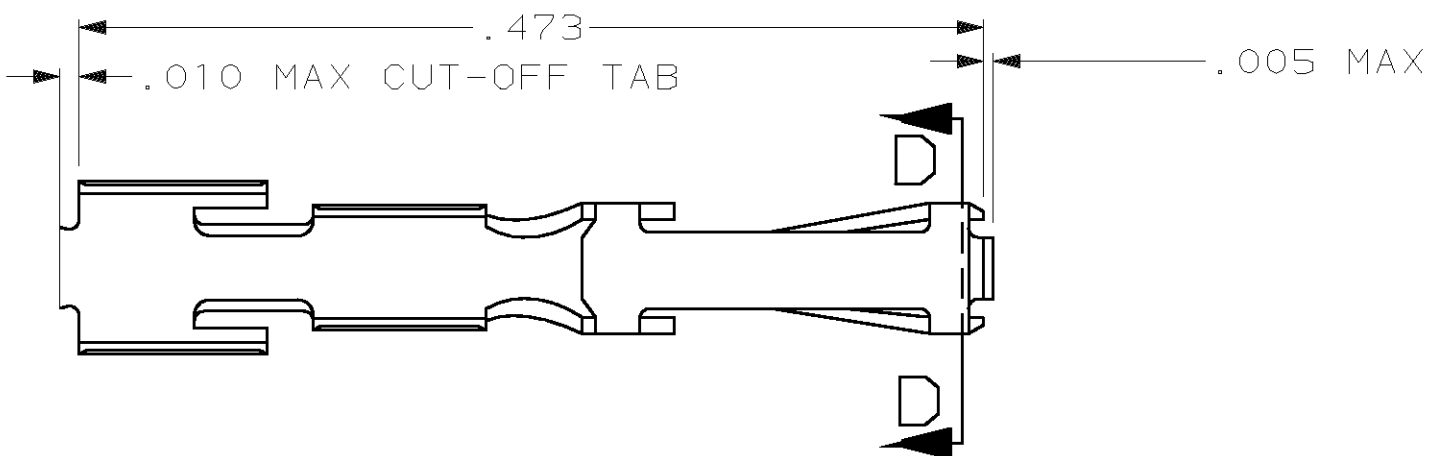
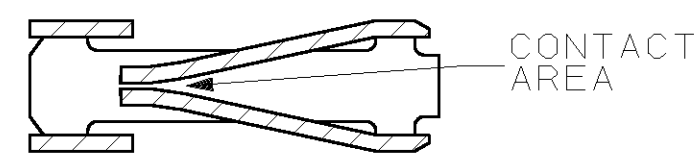


THIS DRAWING IS UNPUBLISHED. RELEASED FOR PUBLICATION ,19 .
 © COPYRIGHT 19 BY AMP INCORPORATED. ALL INTERNATIONAL RIGHTS RESERVED.

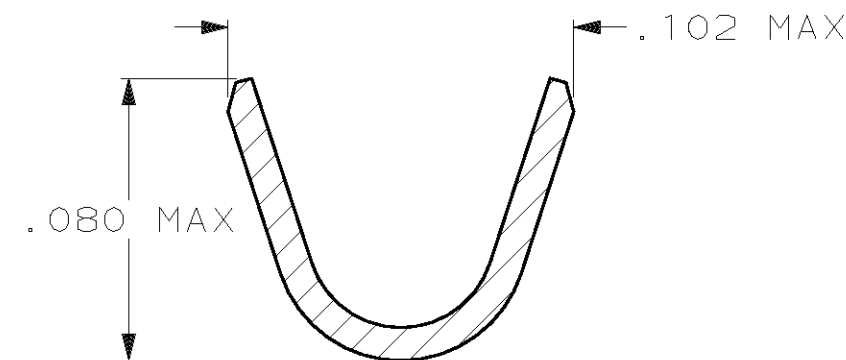
LOC		D15T		P		F		ZONE		LTR		REVISIONS			
GP		00										DATE	APPD		
												D	REVISED PER EC 0513-0005-02	15MAR02	JG



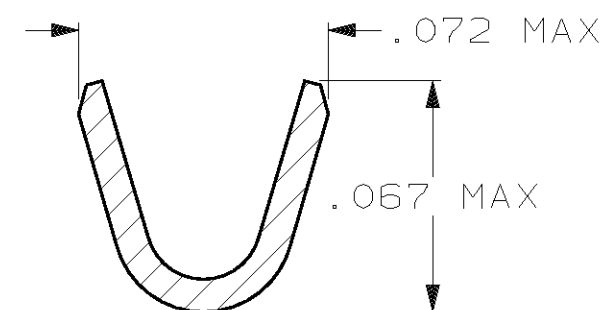
SECTION D-D
SCALE 20:1



SECTION C-C



SECTION A-A
SCALE 20:1



SECTION B-B
SCALE 20:1

△ FINISH: GOLD FLASH ALL OVER .000015 THK GOLD ON LOCALIZED CONTACT
 PLATING AREA OVER .000050 MIN THK NICKEL ON ENTIRE CONTACT
 2. FOR 22-24 AWG WIRE WITH AN INS. RANGE OF .040-.056

△	86655-2	86657-2
FINISH	REELED PART NO.	PART NO.

DO NOT SCALE PRINT. UNLESS SPECIFIED DIMENSIONS IN INCHES TOLERANCES ON :		DR 6-8-89 B. MOYER		AMP INCORPORATED Harrisburg, Pa. 17105	
2 PLC DEC ± -		CHK 6-8-89 D.L. ROCKER			
3 PLC DEC ± .005		APPD 6-14-89 G. D. MILLER		NAME	
ANGLES ± -		APPD 6-14-89 W.T. PARKER		CONTACT, RCPT., ROUND WIRE, .100CL FFC	
MATERIAL		PRODUCT SPEC		DRAWING NO	
PHOS. BRONZE		108-9024		86657	
FINISH		APPLICATION SPEC		SIZE	
SEE TABLE		114-16003		C 00779	
		WEIGHT		SCALE	
		-		10:1	
				SHEET	
				1 OF 1	